



ELMOTECH
ELECTRIC MOTORS TECHNOLOGIES



MEC Series

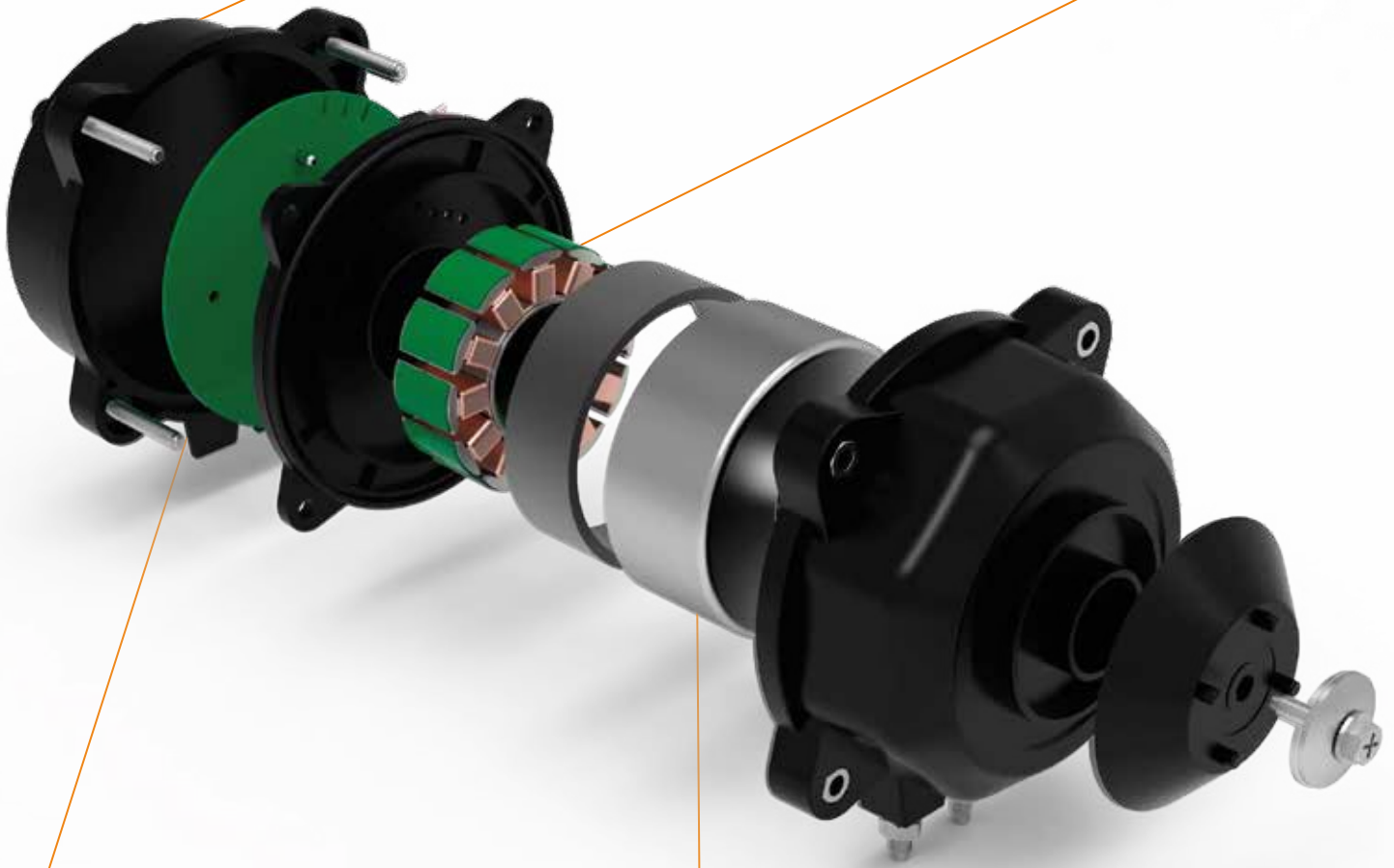
Energy saving motor for refrigeration industry



Voltage	100-240V 50/60Hz
Motor housing material	Plastic
Motor rotation direction	Counterclockwise (reverse option)
Speed range	300 – 2300 rpm/min (1 or 2 speed)
Output power range	1-21 W
Maximum input power	30 W
Maximum current	0.4 A
Effectiveness	Up to 78%
Insulation protection	1500V/min or 1800V/s 1mA
Thermal protection	By software
Insulation Class	H
IP level	IP65, IP67
Bearings type	Ball Bearings
Operation temperature range	-40°C +60°C
Storage temperature range	-40°C +80°C
Power supply cable	Detachable insulated connector

Plastic body resistant to high and low temperatures

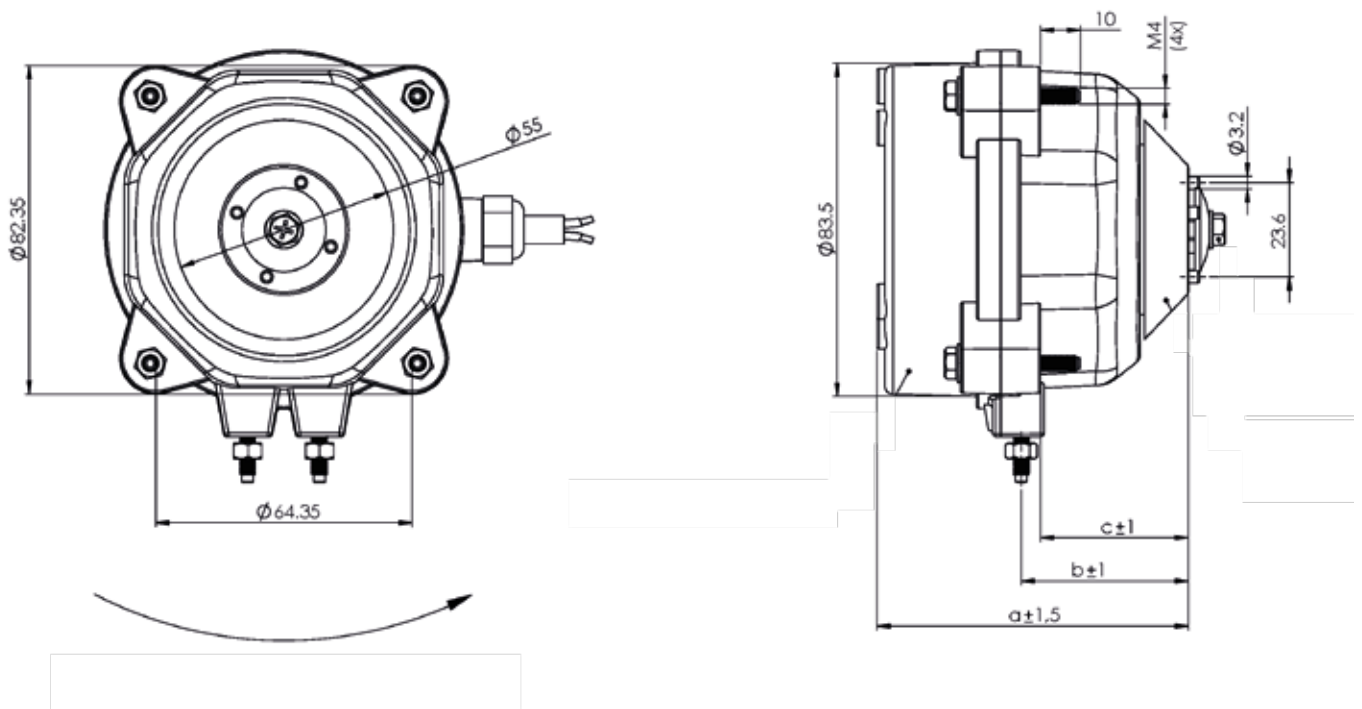
Due to 12 windings and design with external rotor electric motor reaches maximum values efficiency in its class



Universal mounts completely interchangeable with previous generations

Design on two ball bearings allows the electric motor to run for over 40,000 hours

Motor Dimensions



Suitable Fan Blades

	150mm	170mm	200mm			230mm			254mm		
RPM	все	все	22°	28°	34°	22°	28°	34°	22°	28°	34°
1300	✓	✓	✓	✓	✓	✓	✓	✓	✓	✓	✓
1500	✓	✓	✓	✓	✓	✓	✓	✓	✓	✓	✓
1800	✓	✓	✓	✓	✓	✓	X	X	X	X	X

Accessories



Plastic or Aluminum
Fan Blades



Plastic or Metal
Rings

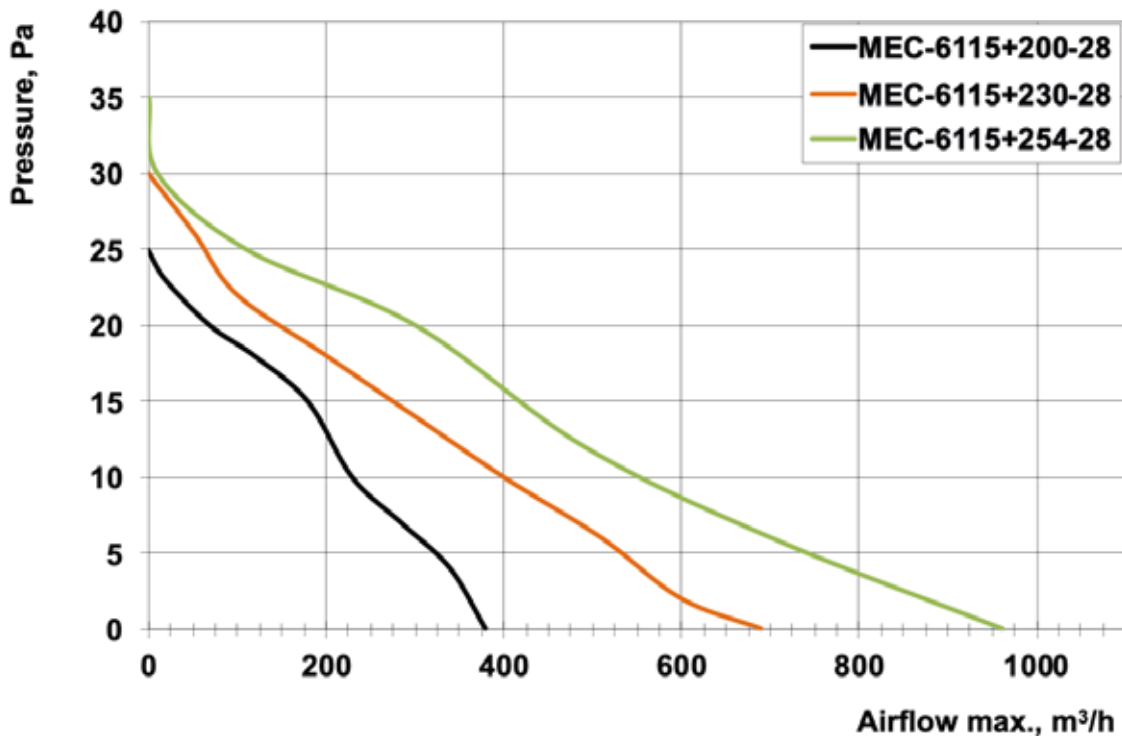
Axial Fan Performances



The MEC series is the third generation of EMC fans, with a number of improvements and a unique design that has no analogues on the market. High efficiency of the electric motor, more than 70%, allows you to work in a wide range of loads and significantly reduces the cost of operating commercial and industrial refrigeration equipment

Motor and fan typical combinations	Speed	Airflow	Pressure	Output power	Input power
	rpm	m ³ /h	Pa	W	W
MEC-6115 + 200-28	1300	380	25	3	5
MEC-6115 + 230-28	1300	690	30	7	11
MEC-6115 + 254-28	1300	960	35	11	14

Performance Curves





ELMOTECH
ELECTRIC MOTORS TECHNOLOGIES

Email

info@elmotech.eu

Phone

+48226022992

Address

**Adama Mickiewicza 37 / 58,
01-625 Warszawa, Polska**